

4

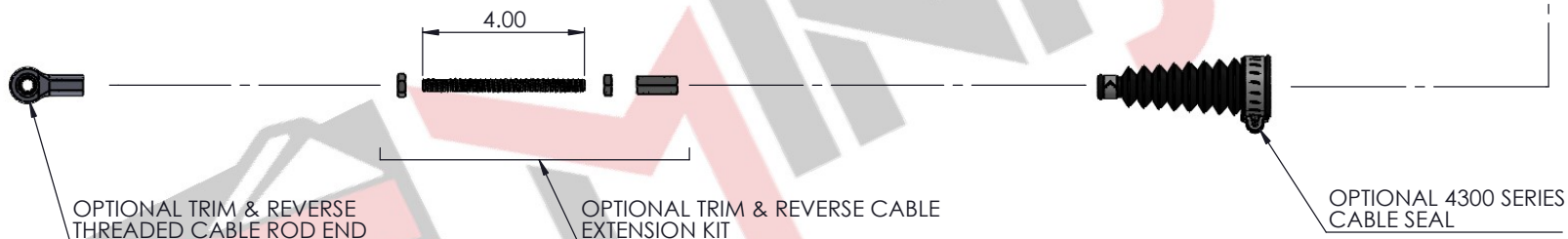
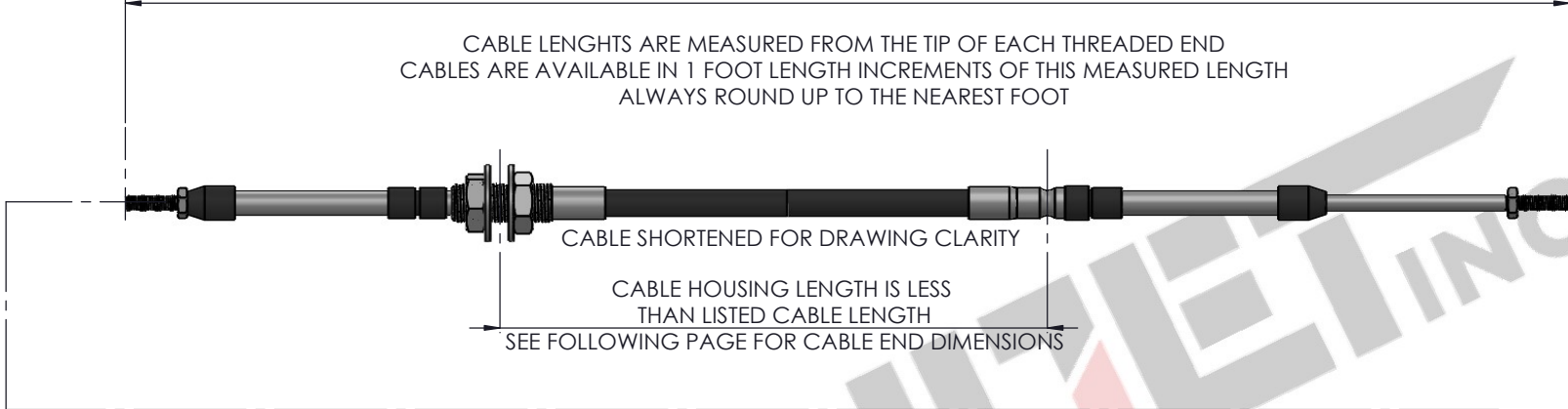
3

2

1

CABLE LENGTH

CABLE LENGTHS ARE MEASURED FROM THE TIP OF EACH THREADED END  
CABLES ARE AVAILABLE IN 1 FOOT LENGTH INCREMENTS OF THIS MEASURED LENGTH  
ALWAYS ROUND UP TO THE NEAREST FOOT



1/4"-28 UNF STAINLESS STEEL FEMALE THREADED ROD END

1/4" THROUGH HOLE FOR BOLTED CONNECTION WITH VARIOUS TRIM NOZZLES AND REVERSE BUCKETS.


1/4"-28 UNF STAINLESS STEEL THREADED ROD, COUPLING NUT, AND TWO JAM NUTS.

THIS OPTIONAL KIT MAKES IT EASY TO EXTEND THE END OF THE TRIM AND REVERSE CABLES TO ATTACH TO VARIOUS TRIM NOZZLES AND REVERSE BUCKETS.

CUT THREADED ROD TO LENGTH AS NEEDED TO SUIT YOUR INSTALLATION.

WE RECOMMEND USING THIS SEAL TO KEEP WATER OUT OF THE TRIM AND REVERSE CABLE AND HOUSING.

THIS IS STRONGLY RECOMMENDED FOR USE IN SALTWATER OR COLD WEATHER WHEN ICE MAY FORM IN THE CABLE HOUSING.

<b>UNLESS OTHERWISE SPECIFIED:</b> DIMENSIONS ARE IN INCHES		<b>TITLES:</b> <b>Trim &amp; Reverse Cable Assembly</b>	
TOLERANCES: BEND ± 1.0 DEGREE ONE PLACE DECIMAL ± 0.05 TWO PLACE DECIMAL ± 0.005			
THIS DIMENSION GUIDE IS PROVIDED FOR REFERENCE ONLY. MEASURE ALL CABLES AND DISTANCES DURING INSTALLATION.			
SIZE <b>B</b>	DWG. NO. <b>Dimension Guide</b>	REV <b>A</b>	
CONTACT EMAIL: SALES@MINIJET.CA    PHONE #: +1-613-605-2628			

4

3

2

1

4

3

2

1

4300 SERIES CABLE CLAMP INTERFACE

TRIM & REVERSE CABLE CONTROL LEVER END - EXTENDED

8.5 FULLY EXTENDED CABLE LENGTH

1/4"-28 UNF THREADED END 1.00" OF THREADED LENGTH

CABLE INCLUDES JAM NUT

TRIM & REVERSE CABLE CONTROL LEVER END - RETRACTED

5.5 FULLY RETRACTED CABLE LENGTH

3.0 CABLE TRAVEL

TRIM & REVERSE CABLE TRANSOM END - RETRACTED

5.37 FULLY RETRACTED CABLE LENGTH

1/4"-28 UNF THREADED END 1.00" OF THREADED LENGTH

CABLE INCLUDES JAM NUT

TRIM & REVERSE CABLE TRANSOM END - EXTENDED

8.37 FULLY EXTENDED CABLE LENGTH

5/8"-18 UNF THREADED END FOR TRANSOM CONNECTION

CABLE INCLUDES TWO BULKHEAD NUTS AND TWO WASHERS


1.6

4

3

2

1

<p><b>UNLESS OTHERWISE SPECIFIED:</b> DIMENSIONS ARE IN INCHES</p> <p>TOLERANCES: BEND ± 1.0 DEGREE ONE PLACE DECIMAL ± 0.05 TWO PLACE DECIMAL ± 0.005</p> <p>THIS DIMENSION GUIDE IS PROVIDED FOR REFERENCE ONLY. MEASURE ALL CABLES AND DISTANCES DURING INSTALLATION.</p>		<p><b>TITLE:</b> <b>Trim &amp; Reverse Cable Assembly</b></p> 	
<p><b>SIZE</b> <b>B</b></p>	<p><b>DWG. NO.</b> <b>Dimension Guide</b></p>	<p><b>REV</b> <b>A</b></p>	
<p>CONTACT EMAIL: SALES@MINIJET.CA PHONE #: +1-613-605-2628</p>			

B

B

A

A